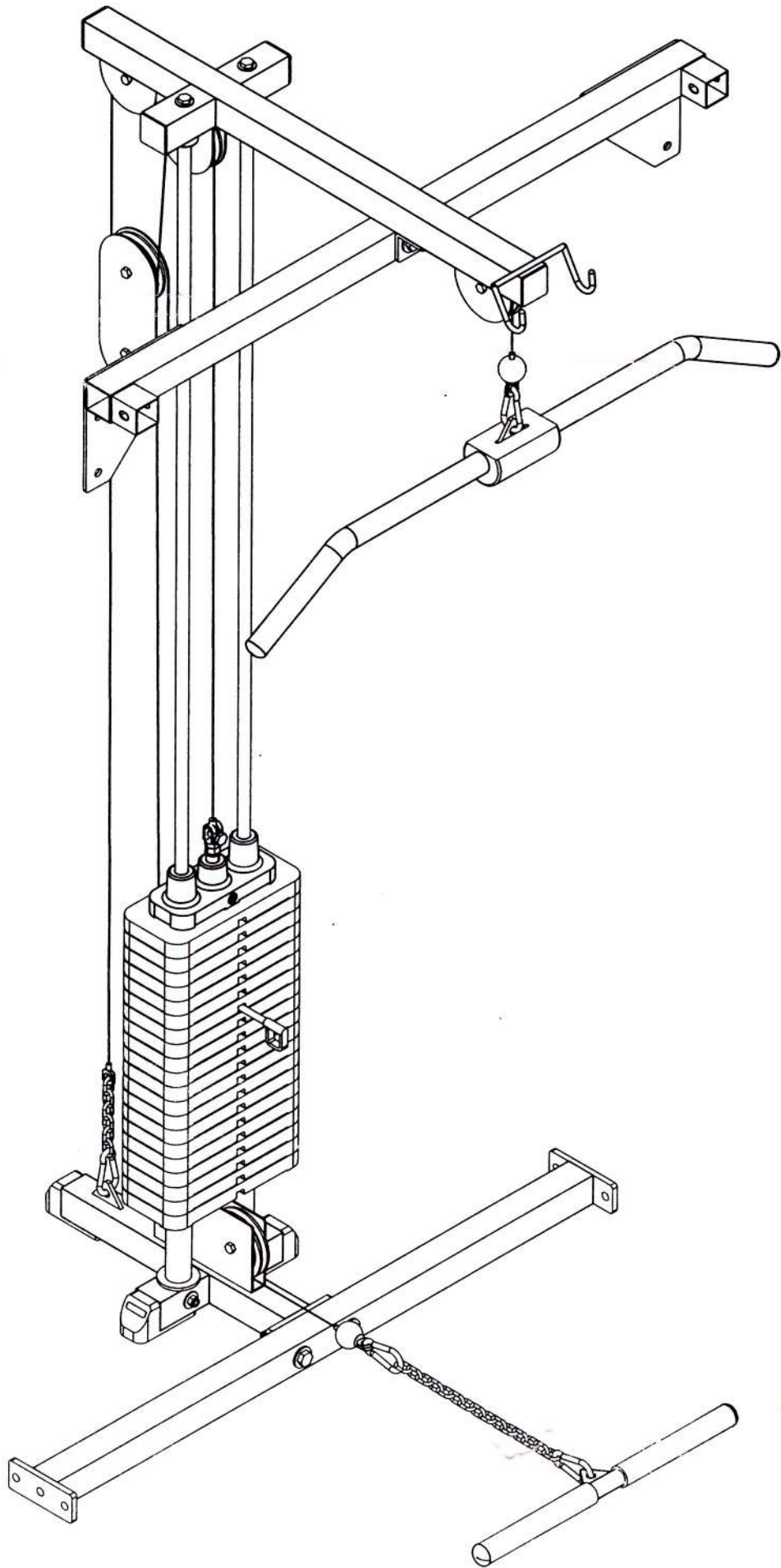


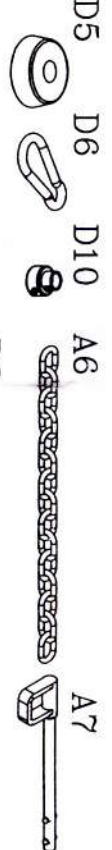
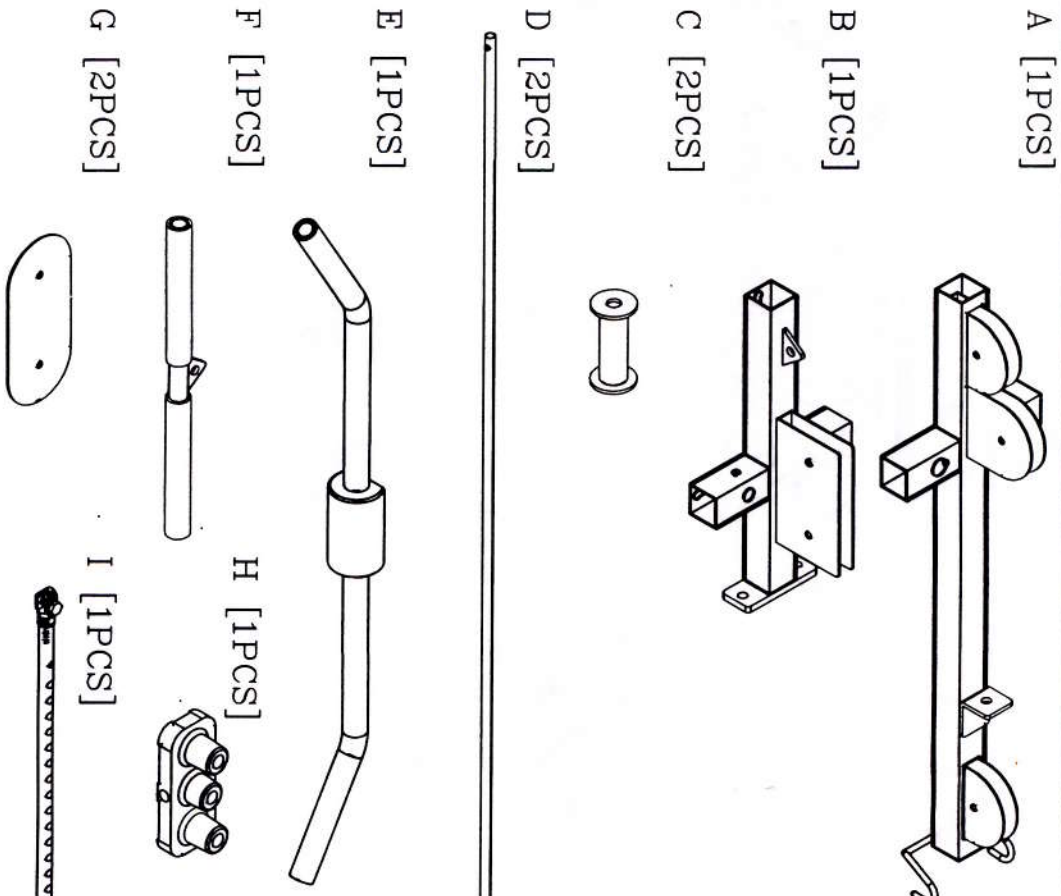


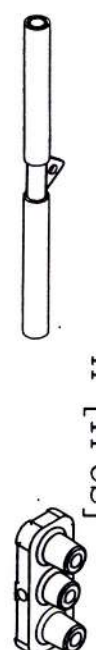
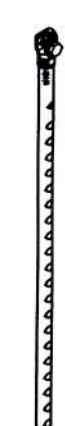

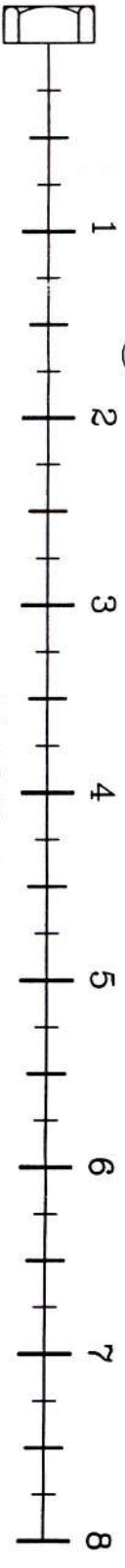
LA-80.3



VERSION 0903

HARDWARE ILLUSTRATION SHEET

PARTS ILLUSTRATION SHEET

Hardware Illustration		Parts Illustration	
<p>A1. 1/2"x3 1/4" HEX HEAD BOLT ----- [2PCS]</p> <p>A2. 1/2"x3" HEX HEAD BOLT ----- [1PCS]</p> <p>A3. 3/8"x2" ROUND BOLT ----- [1PCS]</p> <p>A4. 3/8"x2 1/2" HEX HEAD BOLT ----- [2PCS]</p> <p>A5. 3/8"x1 1/2" HEX HEAD BOLT ----- [7PCS]</p> <p>A6. STEEL CHAIN ----- [1PCS]</p> <p>A7. PIN ----- [1PCS]</p> <p>B1. 1/2" NYLON LOCK NUT ----- [3PCS]</p> <p>B2. 3/8" NYLON LOCK NUT ----- [9PCS]</p> <p>C1. 1/2" (I.D) WASHER ----- [4PCS]</p> <p>C2. 3/8" (I.D) WASHER ----- [4PCS]</p> <p>D1. Ø110 PULLEY (9213-002) ----- [7PCS]</p> <p>D2. 2"x2" FOOT CAP (9211-025) ----- [3PCS]</p> <p>D3. 2"x2" END CAP (9211-006) ----- [4PCS]</p> <p>D5. Ø2 1/2" RUBBER DONUT(9310-010) [2PCS]</p> <p>D6. Ø8 SPRING SNAP LINK(8810-001) [4PCS]</p> <p>D7. 2935mm STEEL CABLE----- [1PCS]</p> <p>D8. 3330mm STEEL CABLE----- [1PCS]</p> <p>D10. Ø3/4" SHAFT COLLAR(9211-046) [2PCS]</p> <p>D11. Ø1" ROUND END CAP (9260-021) [4PCS]</p>	<p>D5 D6 D10 A6 A7</p> 	<p>A [1PCS]</p> <p>B [1PCS]</p> <p>C [2PCS]</p> <p>D [2PCS]</p> <p>E [1PCS]</p> <p>F [1PCS]</p> <p>G [2PCS]</p>	
<p>D7</p> 	<p>D8</p> 	<p>H [1PCS]</p> 	<p>I [1PCS]</p> 
<p>D11</p> 		<p>1 2 3 4 5 6 7 8</p>	

LA-80.3

